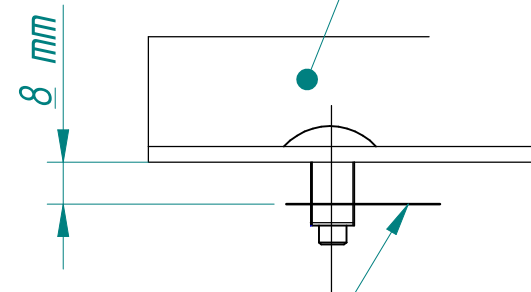


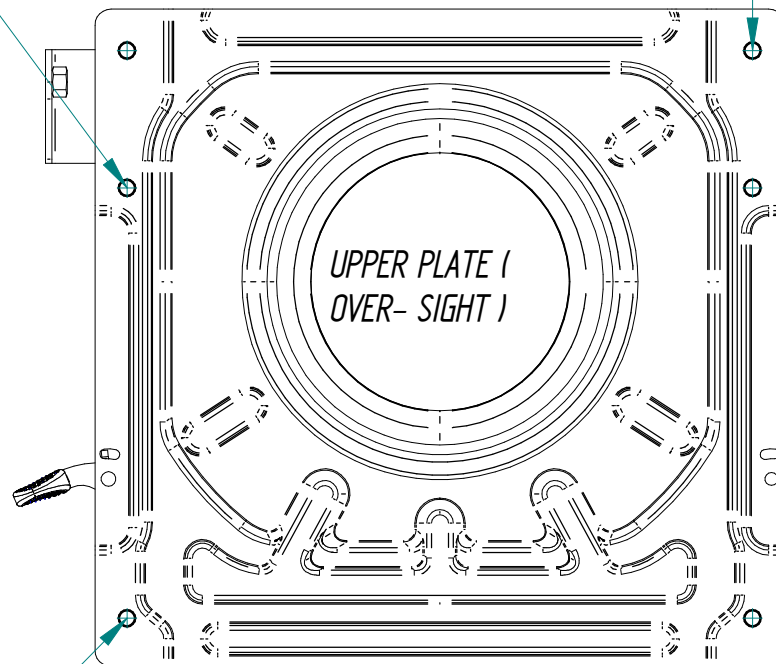
SIDE VIEW of SEAT-RUNNERS



SCREW TO CUT-OFF

SCREW TO CUT-OFF

RUNNER-SCREW TO BE CUT-OFF (8 mm.)



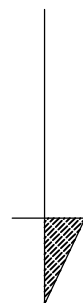
UPPER PLATE (OVER- SIGHT)

SCREW TO CUT-OFF

AFTER THE RUNNERS-SCREWS HAVE BEEN CUT-OFF, FASTEN THE RUNNERS AN THE SWIVEL USING N. 6 x M8 - NUTS H. 4-5 mm (UNI 5587)

NB. THE DRAWING SHOWS THE LH-SWIVEL THE RH-SWIVEL IS SYMMETRICAL

DRIVING DIRECTION



MODIFICHE		DATA	DISEGNATORE	
A				
B				
C				
ARTICOLO FITTING INSTRUCTIONS FOR SWIVEL FIAT SCUDDO				
OGGETTO				PESO
				kg. 9
MATERIALE / TRATTAMENTO				CLIENTE
				FORNITORE
DATA	SCALA	DISEGNATORE	VISTO	VARIA DAL DISEGNO
25.11.04	N.D.	Bruno	Pozzi	
DISEGNO				1305 . 5131 sx

F.A.S.P. TAPPEZZERIA srl
 INTERNI AUTOBUS - CAMPER - NAUTICA
 VIA GOLGI, 27 - 25064 GUSSAGO (BRESCIA) ITALY
 TEL. 030 321776 - 030 321885 - FAX 030 322281
 www.fasp.it - e-mail: info@fasp.it